

Instructions for use

Charger Carousel 2 - Charger Stand 2

English (EN)

1 Product description

1.1 Product overview

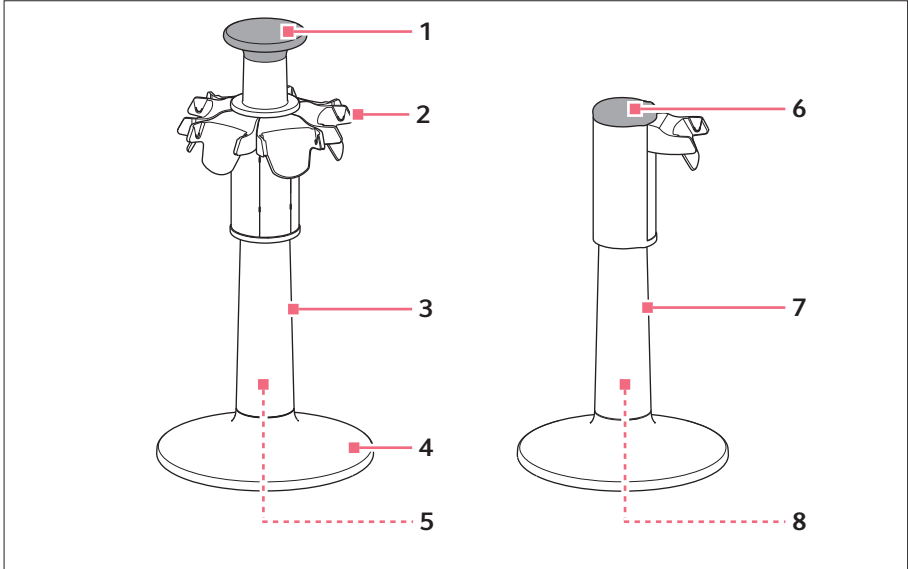


Fig. 1: Charger carousel 2 and charger stand 2

- 1 **Handle**
With bayonet catch
- 2 **Charger shell**
- 3 **Charger carousel**
- 4 **Base**

- 5 **Magnetic coupling for charging plug**
- 6 **Lid**
- 7 **Charger stand**
- 8 **Connector socket for charging plug**

Instructions for use
2 Charger Carousel 2 - Charger Stand 2
 English (EN)

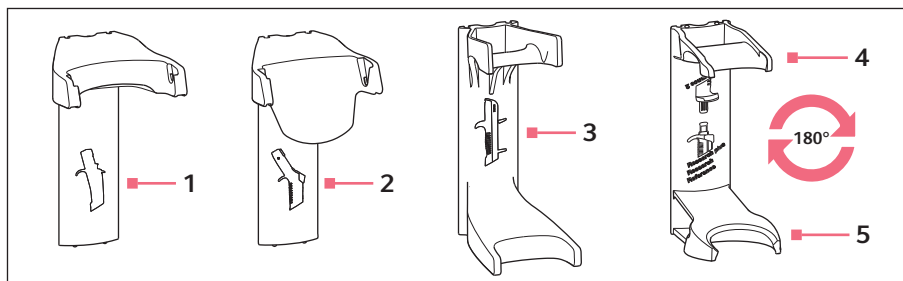


Fig. 2: Charger shells 2 and holders 2 for electronic and mechanical dispensing devices

- | | |
|---|---|
| <p>1 Charger shell
 For Multipipette/Repeater E3/E3x,
 Multipipette/Repeater stream/Xstream</p> <p>2 Charger shell
 For Xplorer, Xplorer plus</p> | <p>3 Holder
 For Multipipette/Repeater M4</p> <p>4 Holder
 For Research plus, Reference, Research</p> <p>5 Holder
 For Reference 2</p> |
|---|---|

1.2 Delivery package – charger carousel

Quantity	Description
1	Charger carousel
1	Mains/power supply device with magnetic charging plug
1	Instructions for use

1.3 Delivery package – charger stand

Quantity	Description
1	Charger stand
1	Instructions for use

1.4 Features

Dispensing devices must not be inserted into the charger carousel or the charger stand with the dispensing tip.

1.4.1 Charger carousel

The charger carousel can accommodate and charge 6 electronic Eppendorf dispensing devices (single-channel pipettes, multi-channel pipettes, or dispensers). The charging process is shown on the display of the dispensing device. The charger shells can also be replaced by holders for mechanical dispensing devices. Using the handle, the charger carousel can be safely rotated, moved, and transported.

1.4.2 Charger stand

The charger stand can accommodate and charge an electronic Eppendorf dispensing device (single-channel pipette, multi-channel pipette, or dispenser). The charging process is shown on the display of the dispensing device. The charger shell can also be replaced by a holder for a mechanical dispensing device.

1.4.3 Dispensing devices

Suitable electronic dispensing devices:

- Multipette/Repeater E3, Multipette/Repeater E3x
- Multipette/Repeater stream, Multipette/Repeater Xstream
- Eppendorf Xplorer, Eppendorf Xplorer plus

2 Safety

2.1 Warnings for unintended use



CAUTION! Incorrect or damaged mains/power supply devices may lead to personal injuries and damage to the device.

Incorrect or damaged mains/power supply devices may cause electric shock, overheat the device, set it to fire, melt it, short-circuit it, or cause similar damage.

- ▶ Only the supplied mains/power supply device may be used to charge the device. You can identify the correct mains/power supply device by the Eppendorf logo and the device name on the mains/power supply device.
- ▶ Do not use damaged mains/power supply devices.



CAUTION! Danger due to improper handling

Leaking liquids may cause contamination and material damage.

- ▶ Eject the dispensing tips before mounting.



NOTICE! Material damage due the carousel falling over

The carousel or the dispensing devices could be damaged.

- ▶ Place the carousel on a stable, even, and horizontal surface.
-

2.2 Intended use

The charger carousel is suitable for holding electronic and mechanical Eppendorf dispensing devices.

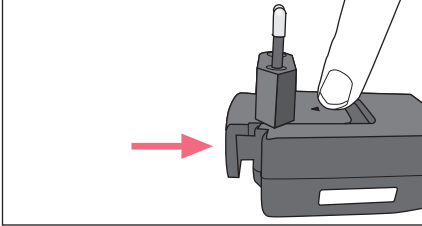
All dispensing devices may only be inserted into the charger carousel without the dispensing tip.

Instructions for use

4 Charger Carousel 2 - Charger Stand 2 English (EN)

3 Installation

3.1 Inserting the mains/power plug – charger carousel



1. Insert the suitable mains/power plug.
2. Press the marking and insert the mains/power plug until the stop.

3.2 Connecting the charger carousel



NOTICE! Material damage due to incorrect mains/power supply devices.
Charger stand and charger carousel require different mains/power supply devices.

- ▶ Check if you are using the correct mains/power supply device. The order no. of the mains/power supply device is located on the mains/power supply device.

Prerequisites

- Mains/power supply device (delivery package) is present.
- ▶ Connect the charging plug of the mains/power supply device to the magnetic connector socket in the base.

3.3 Connecting the charger stand

The mains/power supply device from the delivery package of the dispensing device is also used for the charger stand.



NOTICE! Material damage due to incorrect mains/power supply devices.
Charger stand and charger carousel require different mains/power supply devices.

- ▶ Check if you are using the correct mains/power supply device. The order no. of the mains/power supply device is located on the mains/power supply device.

Prerequisites

- Mains/power supply device is present.
- ▶ Connect the charging plug of the mains/power supply device to the connector socket in the base.

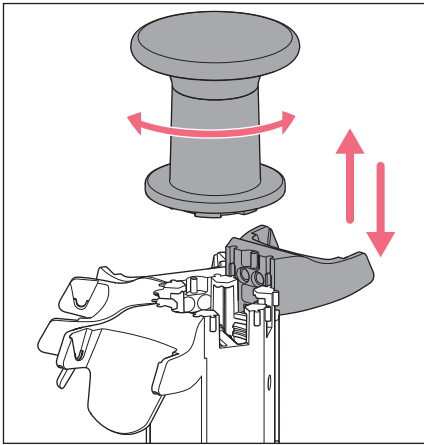
3.4 Winding the cable

To shorten the cable, it can be wound once around the stabilizing feet.

3.5 Changing the charger shell – charger carousel

Prerequisites

- The mains/power supply device is disconnected from the mains/power line.



1. Disconnect the charging plug from the magnetic coupling and pull it out of the base.
2. Move the handle to the left and remove it.
3. Hold the charger carousel and lift the charger shell out.
4. Hook the other charger shell into the guide on the top.
5. Press against the bottom of the charger shell.
6. Slide the charger shell down until the catches lock into place at the bottom.
7. Fit the handle and tighten it to the right. The bayonet catch engages.
8. Insert the charging plug into the base. The charging plug is connected to the magnetic coupling. The contact is shown on the display of the dispensing device. The loading function is indicated by a flashing battery symbol.

3.6 Inserting the holder for a mechanical dispensing device – charger carousel

Prerequisites

- The mains/power supply device is disconnected from the mains/power line.
1. Move the handle to the left and remove it.
 2. Hold the charger carousel and lift the charger shell out.
 3. Hook the holder into the guide from above.
 4. Press onto the bottom of the holder.
 5. Slide the holder down until the catches lock into place at the bottom.
 6. Fit the handle and tighten it to the right. The bayonet catch engages.

6 Instructions for use

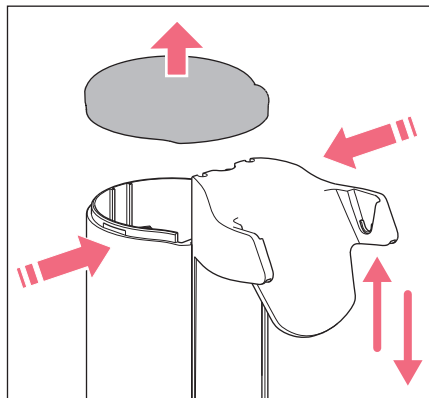
6 Charger Carousel 2 - Charger Stand 2

English (EN)

3.7 Changing the charger shell – charger stand

Prerequisites

- The mains/power supply device is disconnected from the mains/power line.



1. Disconnect the charging plug from the connector socket and pull it out of the base.
2. Press the housing together below the lid and remove the lid.
3. Hold the charger stand and lift the holder out.
4. Hook the other holder into the guide on the top.
5. Press onto the bottom of the holder.
6. Slide the holder down until the catches lock into place at the bottom.
7. Fit the lid.

8. Plug the charging plug into the connector socket in the base.
The contact is shown on the display of the dispensing device.
The loading function is indicated by a flashing battery symbol.

4 Maintenance

4.1 Cleaning the charger carousel or the charger stand

- ▶ Use a damp cloth and mild cleaning agent to wipe off contamination.

4.2 Materials

Wall mount	Material
Available surfaces	Acrylonitrile styrene acrylate with polycarbonate (ASA/PC)
Feet	Silicone
Charging contacts	Nickel-plated coating

5 Technical data

Type	Mains/power supply device with exchangeable power plug adapters
Input voltage	100 V — 240 V, $\pm 10\%$
Output voltage	5 V
Current	4 A
Frequency	50/60 Hz

6 Ordering information

6.1 Charger carousel and charger stand

Order no. (International)	Order no. (North America)	Description
3116 000.023	3116000023	Charger Carousel 2 for 6 Eppendorf Xplorer/Xplorer plus additional charger shells and holders are optionally available
3116 000.031	3116000031	Charger Stand 2 for one Eppendorf Xplorer/Xplorer plus
3116 000.040	3116000040	Charger Stand 2 for one electronic Eppendorf Multipette (Repeater)

6.2 Charger shell

Order no. (International)	Order no. (North America)	Description
3116 602.007	3116602007	Charger Shell 2 for one Eppendorf Xplorer/Xplorer plus for Charger Carousel 2 (with charging functionality)
3116 603.003	3116603003	Charger Shell 2 for one electronic Eppendorf Multipette (Repeater) for Charger Carousel 2 (with charging functionality)